

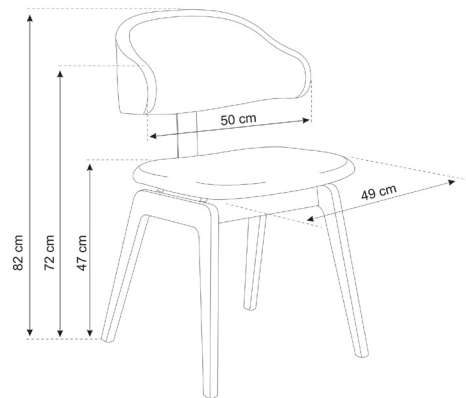


Maior chair

No 8084

Fully upholstered chair with wooden base and flexible back. Tested and approved for public use. Seat height: 47 cm

L 55 W 50 H 82 cm.



MAIOR CHAIR

Maior chair, designed by Morten Svendsen, has a lovely seat comfort, try it and you never want to get up again. The back flex a bit, so you can just sit forever if you have the time. Maior chair is tested and approved for public use. It comes in a lot of colours and materials, please see below, there might be one for everyone. What do you choose? The chairs are packed 2 pcs. per box as standard.

INSPIRATION



COLOURS AND MATERIALS

BASE

SOLID  43 Light oak mat lacquer  87 Black oak  75 Walnut oil

FABRIC AND LEATHER FOR SEAT

CORSICA FABRIC:  01 Charcoal 10  03 Grey 40  04 Blue 50  06 Brown 130

DEVIDE (WOOL FELT):  20 Bordeaux  22 Dusty green  24 Dusty Charcoal  26 Dusty Grey  27 Light Grey

 28 Dusty Blue  29 High Blue

LIDO FABRIC  70 Pelican 130  71 Typhoon 128  72 Onyx 126  73 Lemon-grass 155  74 Antique green 134

 75 Lagoon 100  76 Power blue 136

LEATHER  94 Sand  95 Cognac  96 Choko  98 Black

PBJ
DESIGNHOUSE
EST. 1968